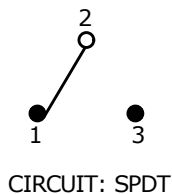
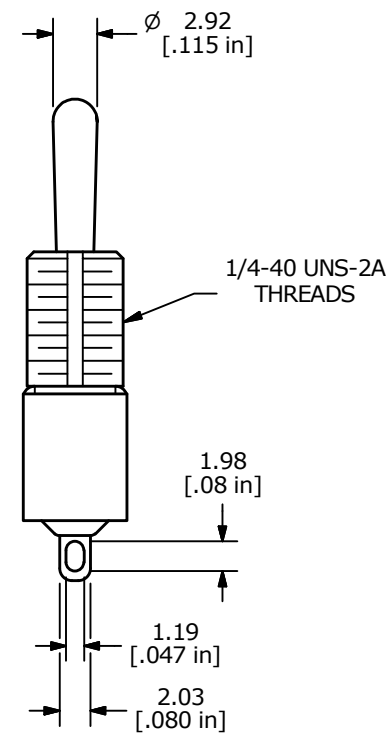
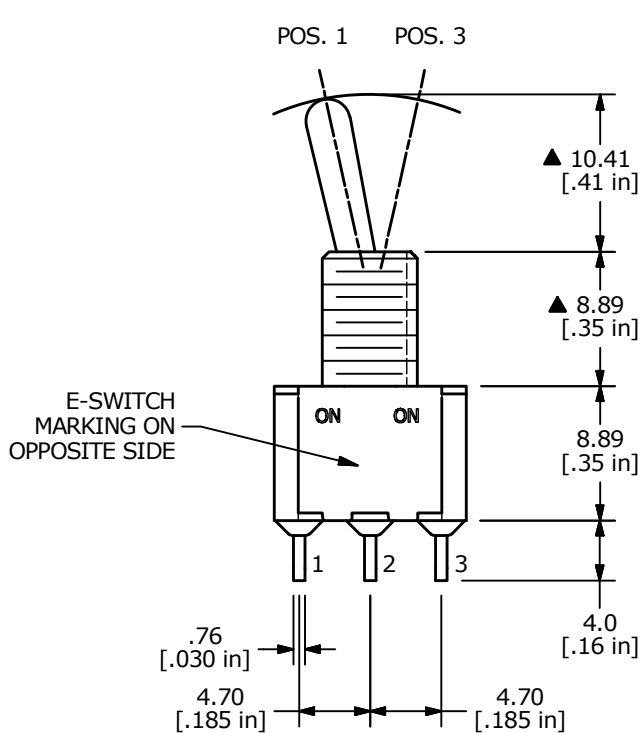


▲ SWITCH FUNCTION		
POS. 1	POS. 2	POS. 3
ON	NONE	ON
2-3	N/A	2-1



NOTE:

1. ALL DIMENSIONS IN MM [INCH]
2. GENERAL TOLERANCE: X.X = ± 0.4
X.XX = ± 0.25
3. TERMINAL NUMBERS FOR REF ONLY
- ▲ 4. PLATING MATERIAL: SILVER
5. RATING: 5A @120VAC or 28VDC
2A @250VAC
6. ELECTRIC LIFE: 40,000 MAKE-AND-BREAK CYCLES AT FULL LOAD.
7. INSULATION RESISTANCE: 1,000 MEGA-OHM MIN.
8. DIELECTRIC STRENGTH: 1,000 V RMS @ SEA LEVEL
9. OPERATING TEMP.: -30°C to 85°C
10. ▲ DENOTES CRITICAL PARAMETER.



G	24204	update print	2/25/20	MW
F	16805	FIXED NOTES	12/28/06	TN
E	16164	UPDATE DWG TO CURRENT STANDARDS	6/20/06	CT
D	14661	REDRAWN	2/1/05	AR
REV	PCR NO	DESCRIPTION	DATE	BY



TITLE 100SP1T1B1M1QE

SCALE	DATE	DR	DWG	REV
2:1	12/28/2006	TN	T110007	G